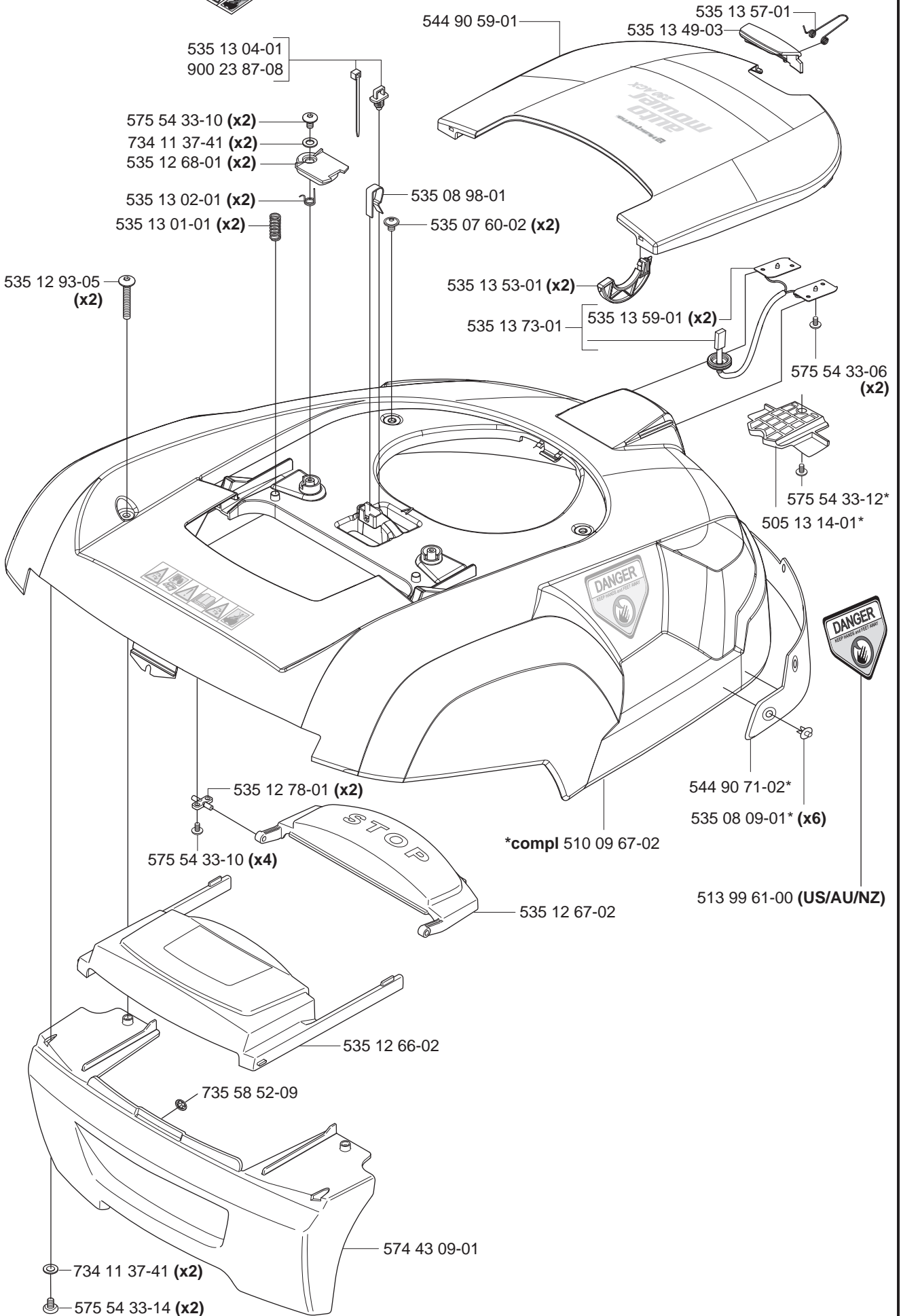
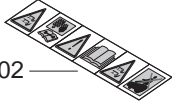
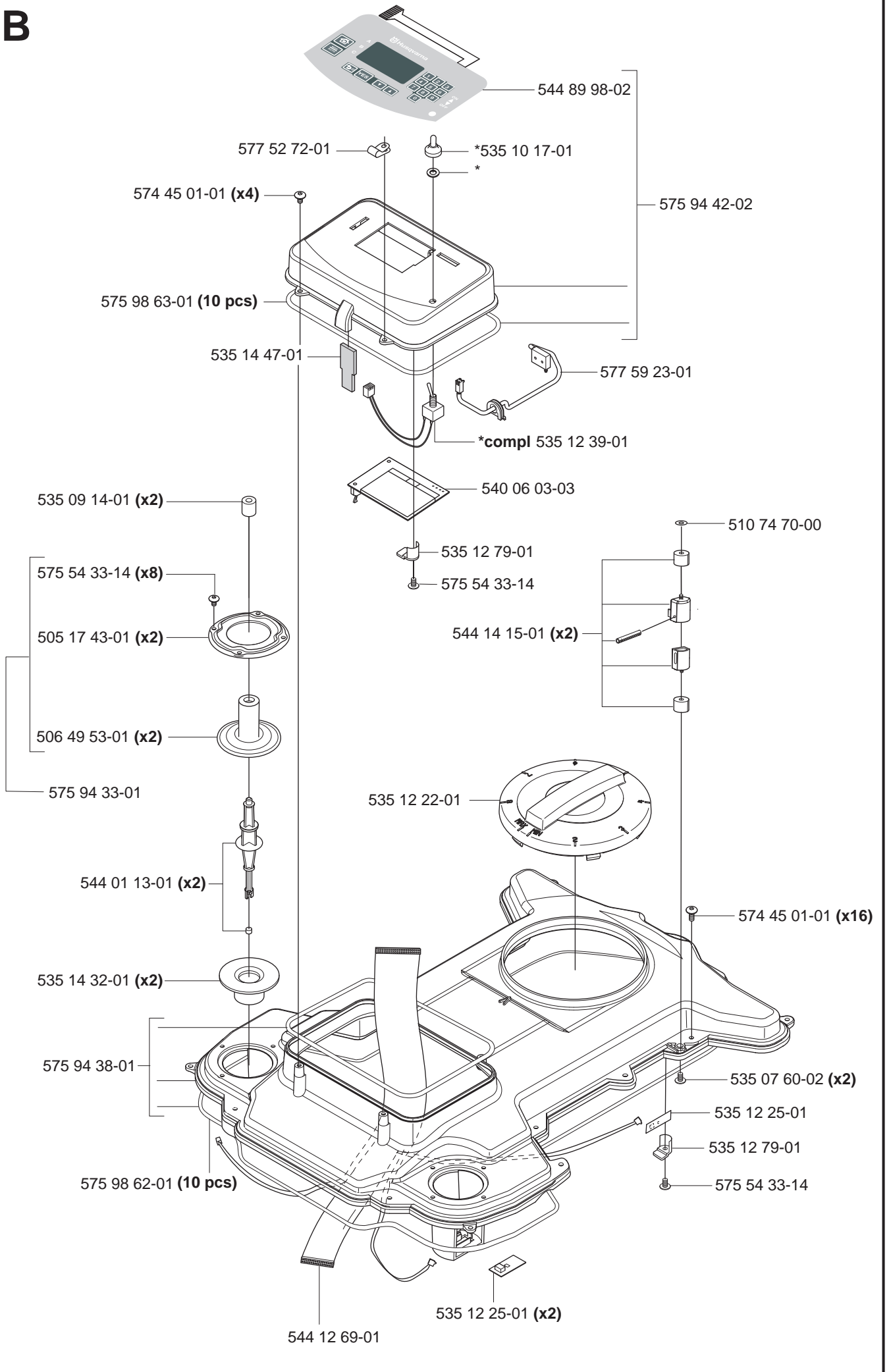


# A

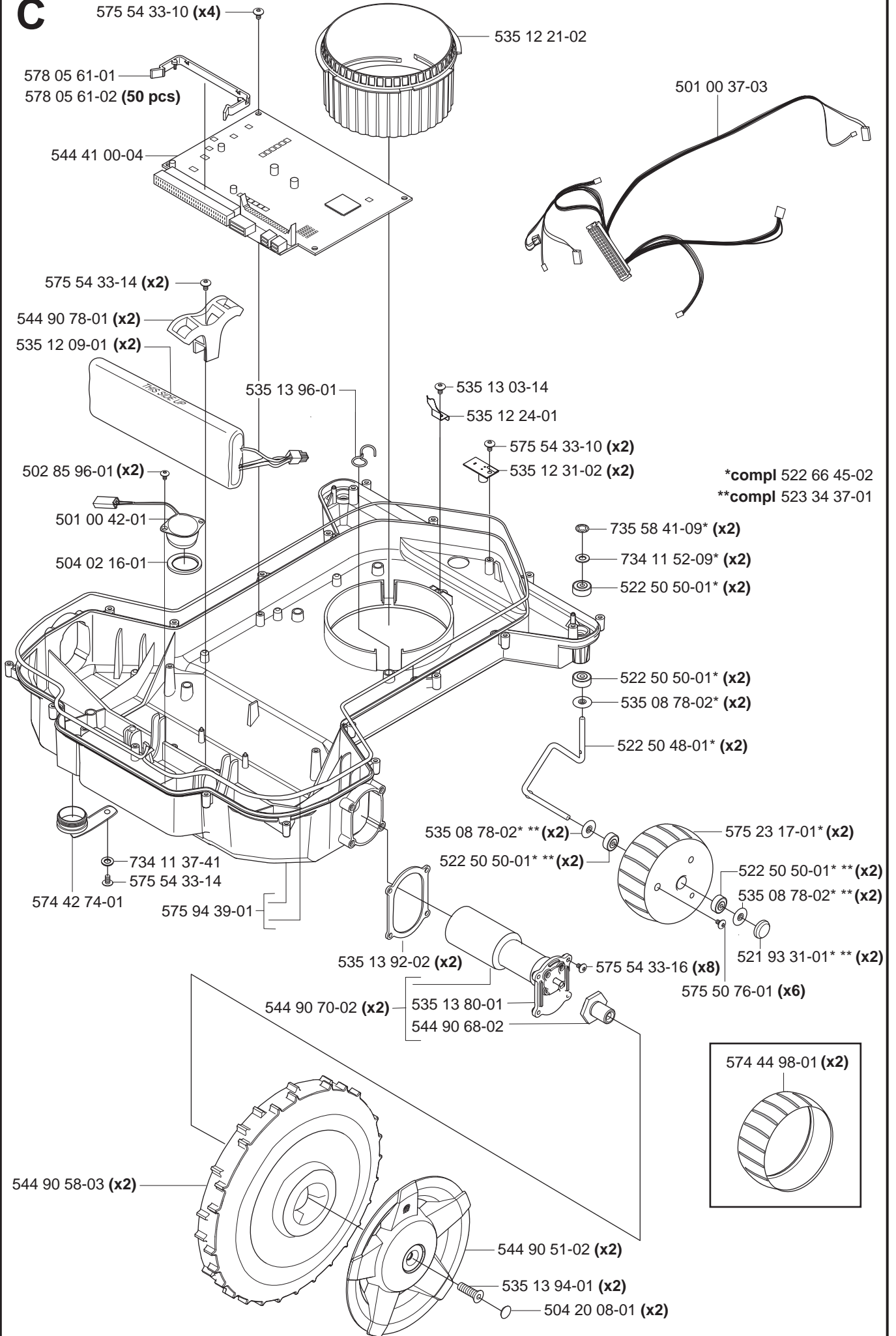
522 79 27-02



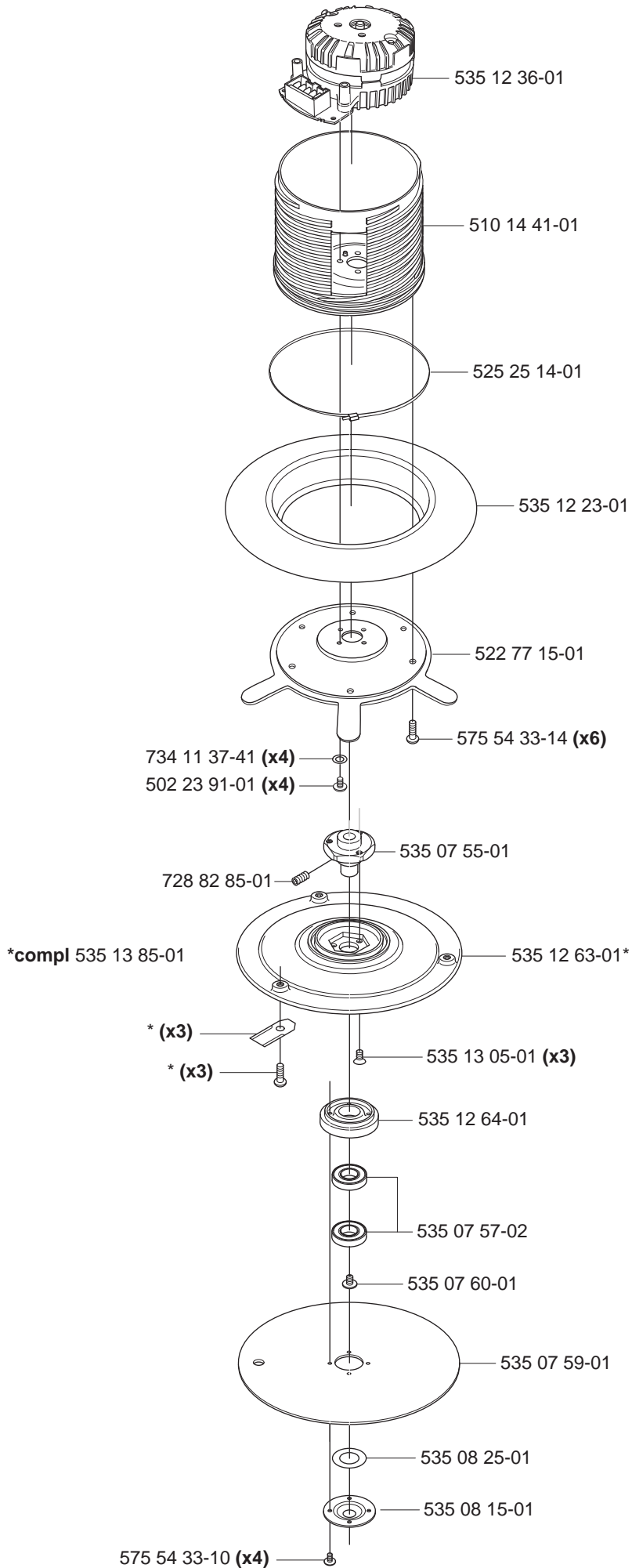
**B**



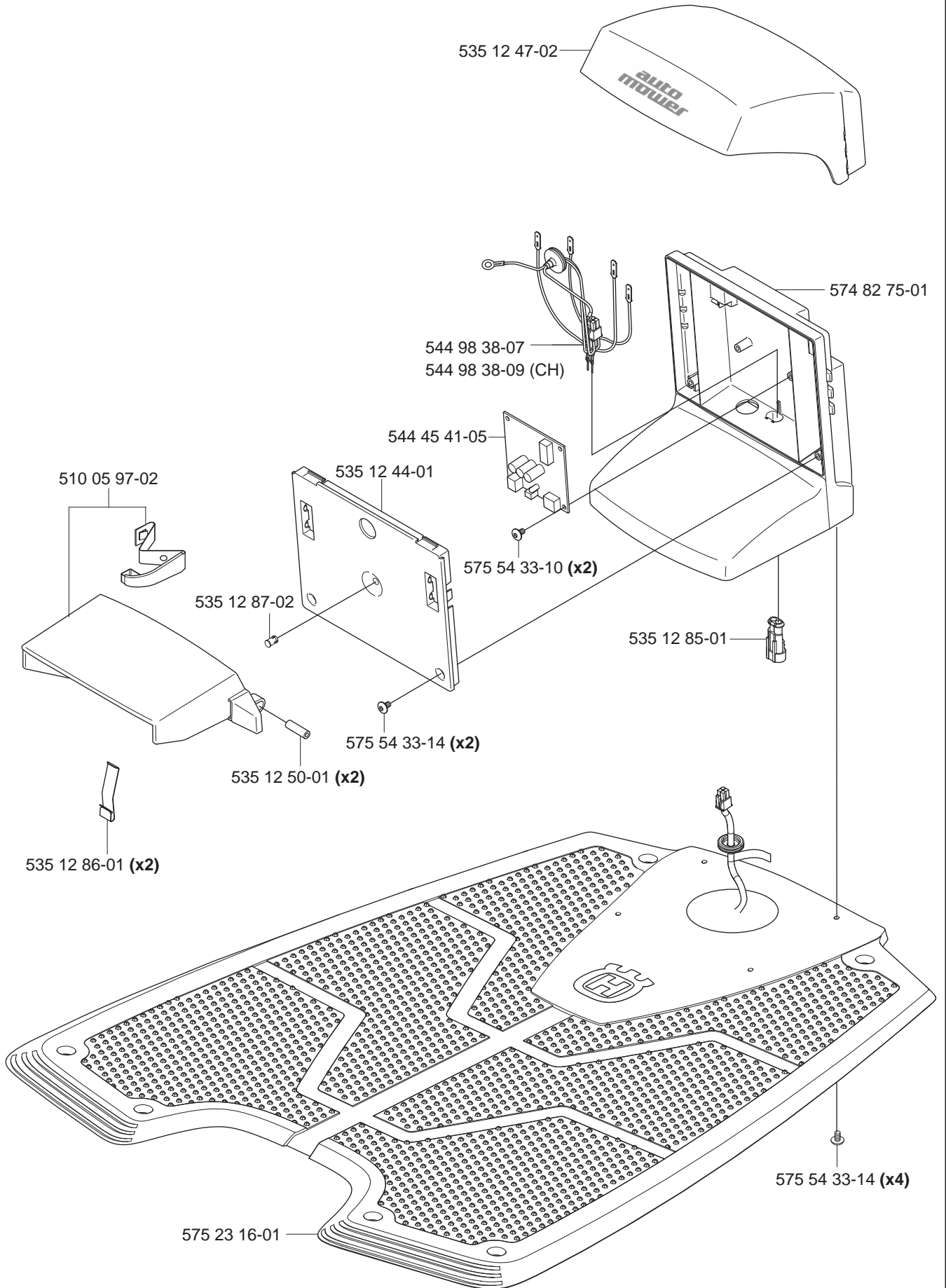
**C**



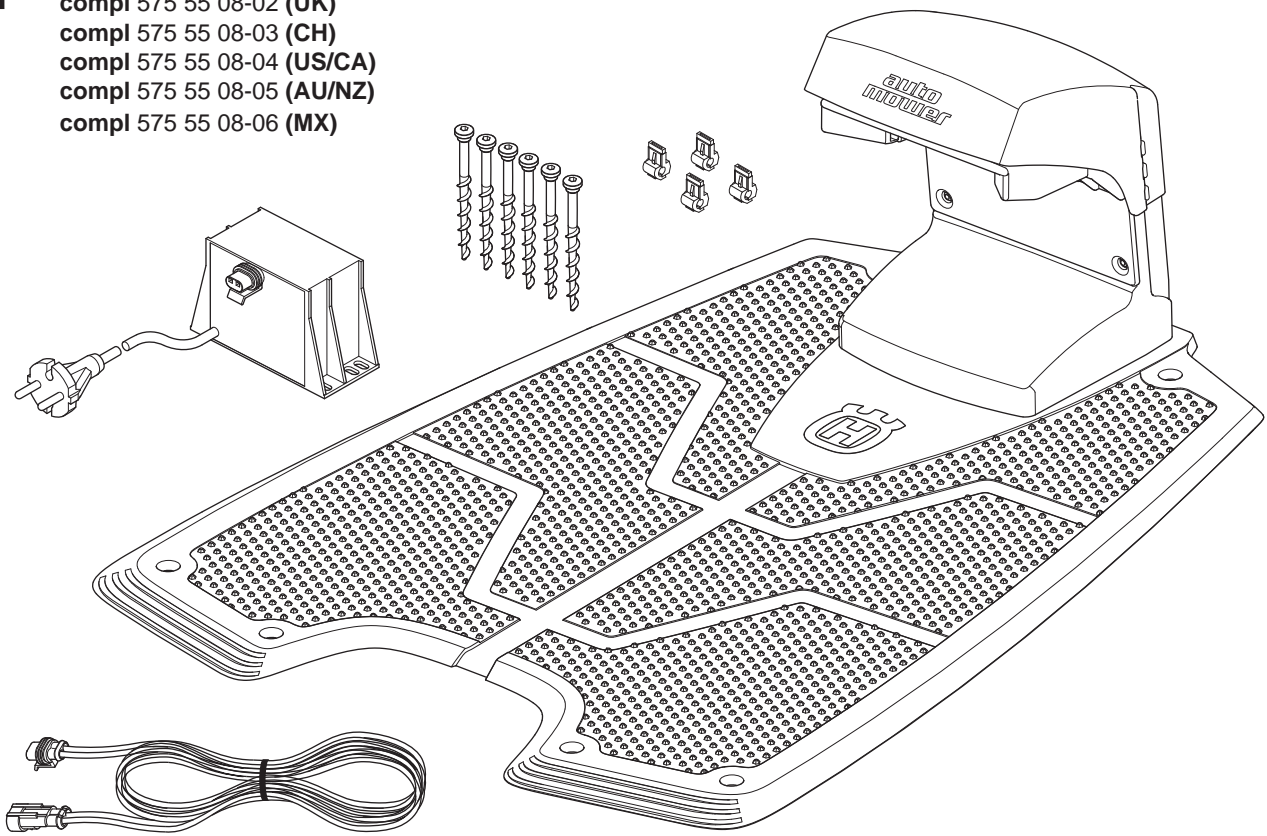
**D**



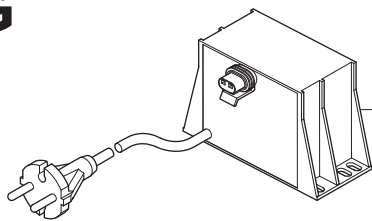
**E** compl 574 90 20-02  
compl 574 90 20-05 (CH)



- F** compl 575 55 08-01 (EU)  
 compl 575 55 08-02 (UK)  
 compl 575 55 08-03 (CH)  
 compl 575 55 08-04 (US/CA)  
 compl 575 55 08-05 (AU/NZ)  
 compl 575 55 08-06 (MX)



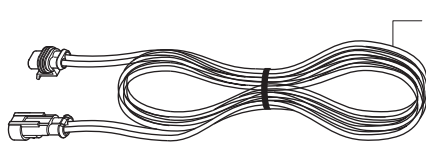
**G**



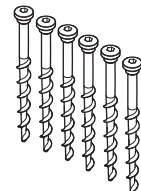
- 501 00 44-01 (EU)  
 501 00 44-02 (UK/IRL)  
 501 00 44-03 (CH)  
 501 00 44-04 (US)  
 501 00 44-05 (AU/NZ)  
 501 00 44-06 (MX)



504 04 97-01 (100 pcs)



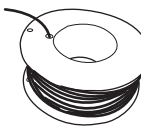
535 12 73-06 (20 m)



575 23 86-01 (6 pcs)



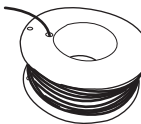
535 12 90-01



501 98 03-02 (150 m)



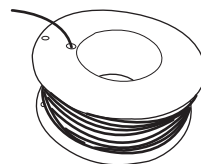
501 98 02-01 (1 pcs)



501 98 03-01 (250 m)



501 98 02-02 (50 pcs)



522 91 41-01 (500 m, Ø3.4 mm)



544 17 75-01



535 13 16-01

# H Accessories Zubehöre Accessoires Acessorios Tillbehör

